

Submittal Sheet



1363-BFSMA

DATE: _____ LASCO PLANT: _____
 CUSTOMER: _____ JOB NAME: _____
 PO #: _____ SHIP TO: _____
 QUOTE #: _____ QUANTITY: _____

_____/_____/_____
 PLUMBING CONTRACTOR APPROVAL DATE GENERAL CONTRACTOR APPROVAL DATE
 _____/_____/_____
 ENGINEER APPROVAL DATE ARCHITECT APPROVAL DATE

**To complete your order, this document must be signed and faxed to the LASCO Bathware Centralized Customer Service Center.
 Fax (866) 544-5353 • Phone (800) 94 LASCO**

1363-BFSMA	
Int. Dim.	36"W x 36"D x 74 $\frac{1}{8}$ "H (915 x 915 x 1885)mm
Ext. Dim.	38"W x 38 $\frac{1}{4}$ "D x 77 $\frac{1}{8}$ "H (965 x 970 x 1960)mm
Skirt Ht.	1 $\frac{3}{4}$ " (45mm) skirt, $\frac{1}{2}$ " (15mm) interior threshold
Weight	171.5 lbs. (77 kg.) gross
Material	LASCOAT (Gelcoat)
Warranty	LASCOAT Finished Products — Three Years
Code Listed	Massachusetts

Available East of the Rockies only



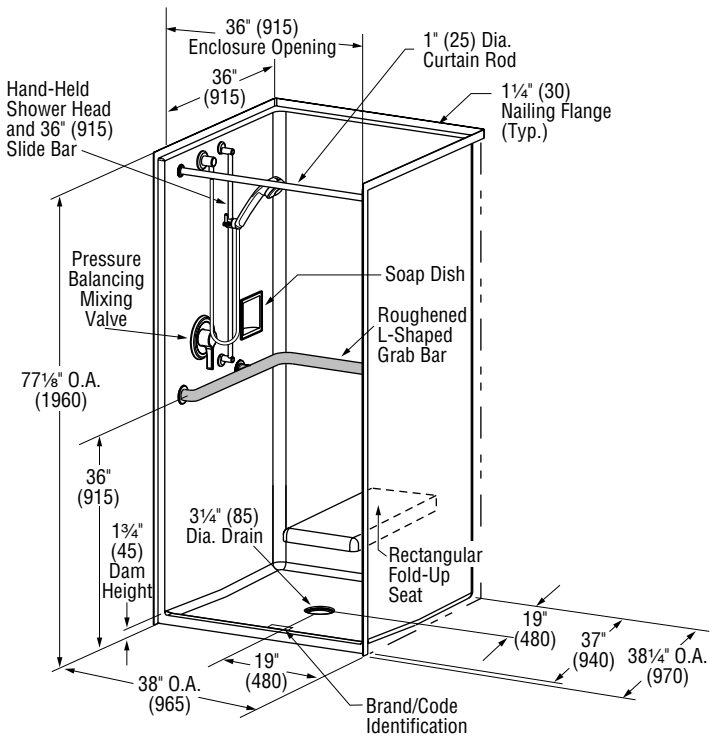
STANDARD FEATURES

- MA Code compliant [when fully equipped]
- Barrier-free design
- Center drain location
- Slip resistant, textured bottom [ASTM F-462]

RECOMMENDED ACCESSORIES

- Fixture Wall: Left Right
- Roughened horizontal L-shaped grab bar [1 $\frac{1}{2}$ " dia. (40mm)]:
 Fixture wall 31 $\frac{1}{2}$ " (800mm), Back wall 18" (455mm)
- Rectangular fold-up seat [opposite fixture wall]
- Hand-held shower
- 36" (915mm) slide bar, vacuum breaker and 60" (1525mm) hose
- Pressure balancing mixing valve
- Soap dish
- Curtain rod Shower curtain
- Standard Colors: White Bone
 Almond Other _____
- Brass drain
- Additional accessories _____

For pricing of units and additional options, reference The Complete Works Price Book.



Please indicate custom changes on reverse side drawings.

PLEASE REFERENCE PAGE – i – FOR CODES AND PRODUCT SPECIFICATIONS

LASCO FreedomLine — MA Code Compliant

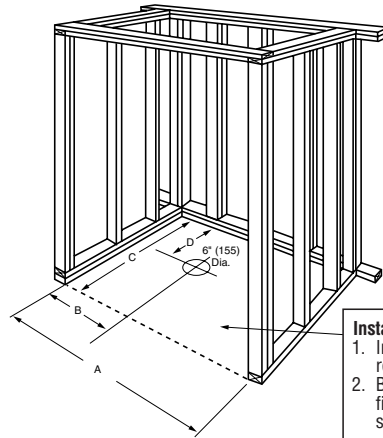
Submittal Sheet



1363-BFSMA

FRAMING DIMENSIONS

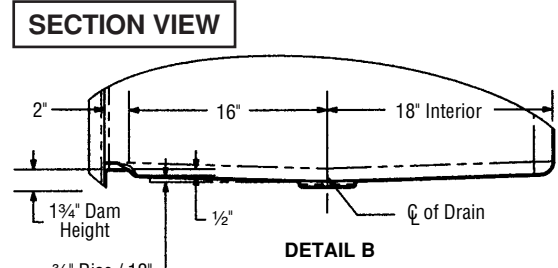
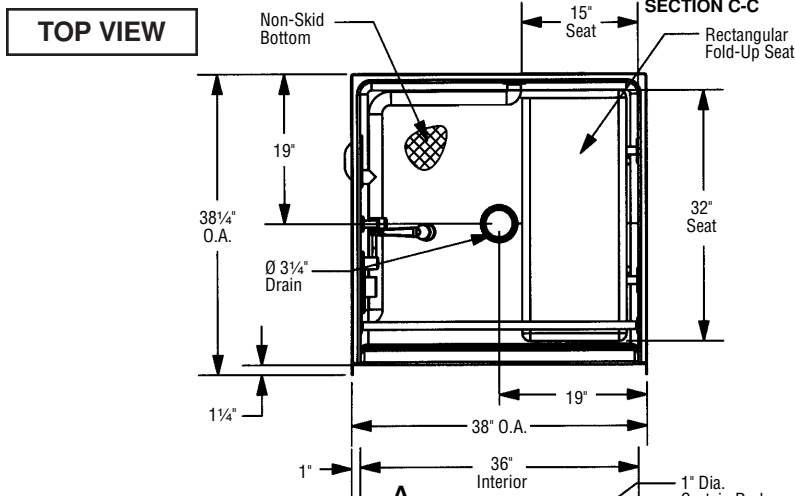
Dim. A	38 1/8" (970mm)
Dim. B	19" (480mm)
Dim. C	38 1/4" (970mm)
Dim. D	19" (480mm)



Installation Options:

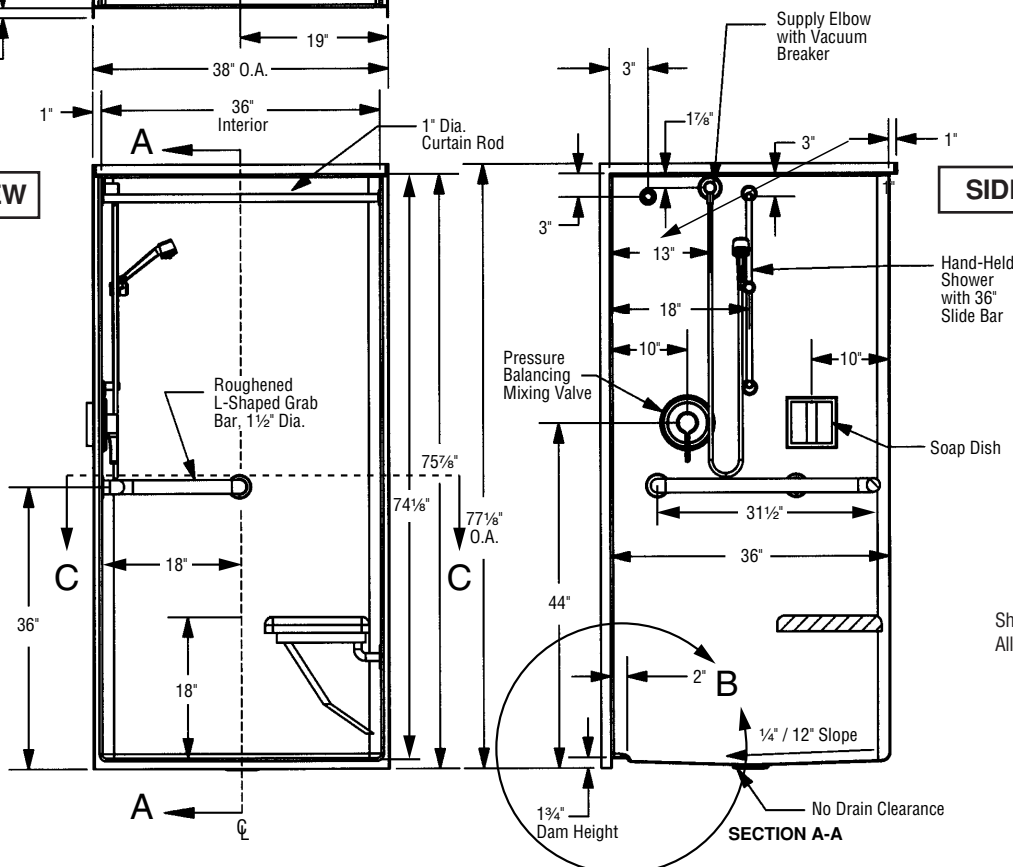
1. Install in a recessed pit for rough-in floor installation.
2. Build sub-floor to level finished floor with top of shower threshold.

Please indicate changes needed.



FRONT VIEW

SIDE VIEW



Shell tolerance: +0, -3/8"
All other tolerances: ±1"

FAX TO THE LASCO BATHWARE CENTRALIZED CUSTOMER SERVICE CENTER
(866) 544-5353