

Submittal Sheet



2603-SMTEMA

DATE: _____ LASCO PLANT: _____
 CUSTOMER: _____ JOB NAME: _____
 PO #: _____ SHIP TO: _____
 QUOTE #: _____ QUANTITY: _____

_____/_____/_____
 PLUMBING CONTRACTOR APPROVAL DATE GENERAL CONTRACTOR APPROVAL DATE
 _____/_____/_____
 ENGINEER APPROVAL DATE ARCHITECT APPROVAL DATE

**To complete your order, this document must be signed and faxed to the LASCO Bathware Centralized Customer Service Center.
 Fax (866) 544-5353 • Phone (800) 94 LASCO**

2603-SMTEMA	
Int. Dim.	56"W x 32"D x 78"H (1422 x 819 x 1981)mm
Ext. Dim.	60"W x 33¼"D x 79¼"H (1524 x 845 x 2013)mm
Skirt Ht.	17" (432mm) skirt for above floor rough-in
Weight	215.5 lbs. (97 kg.) gross
Material	LASCOAT (Gelcoat)
Warranty	LASCOAT Finished Products — Three Years
Code Listed	Massachusetts
Fax-On-Demand	6537



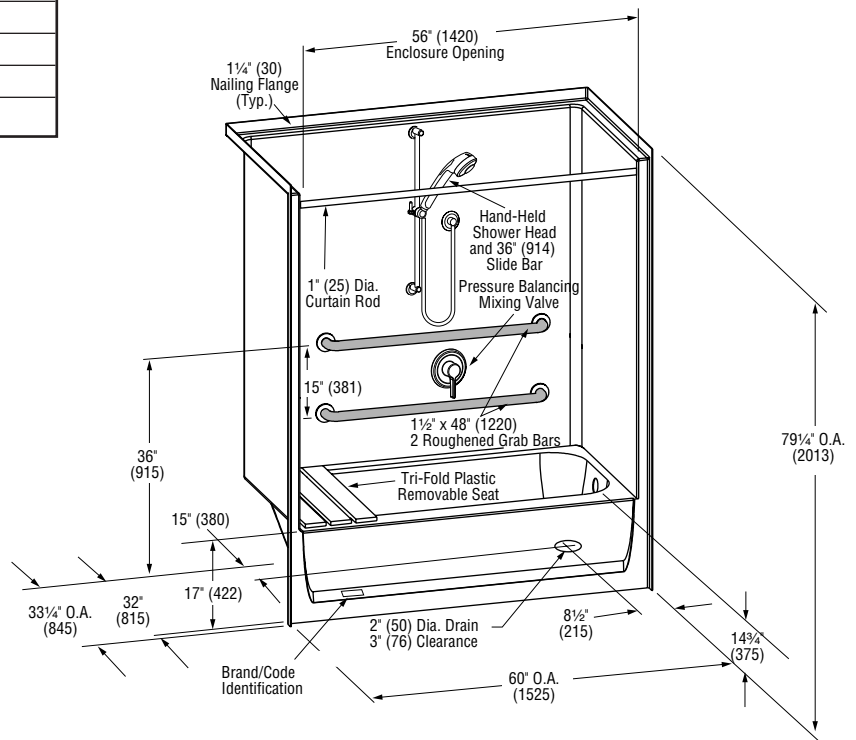
STANDARD FEATURES

- MA code compliant (when fully equipped)
- Extra wide tub
- Integral toiletry shelves
- LH or RH drain location
- Slip resistant, textured bottom [ASTM F-462]
- Above floor rough-in

RECOMMENDED ACCESSORIES

- Fixture Wall: Left Right
- Roughened Grab bars [1½" dia. (40mm)]:
 [2 ea] 48" (1220mm), back wall
 Stainless Steel Powder-Coated White
- Tri-fold, plastic removable seat
- Teakwood finish fold-up seat [opposite fixture wall]
- Hand-held shower
- 36" (914mm) slide bar, vacuum breaker and 60" (1525mm) hose
- Pressure balancing mixing valve
- Curtain rod Shower curtain
- Standard Colors: White Bone
 Almond Other _____
- Additional accessories _____

For pricing of units and additional options, reference The Complete Works Price Book.



Please indicate custom changes on reverse side drawings.

PLEASE REFERENCE PAGE – i – FOR CODES AND PRODUCT SPECIFICATIONS

