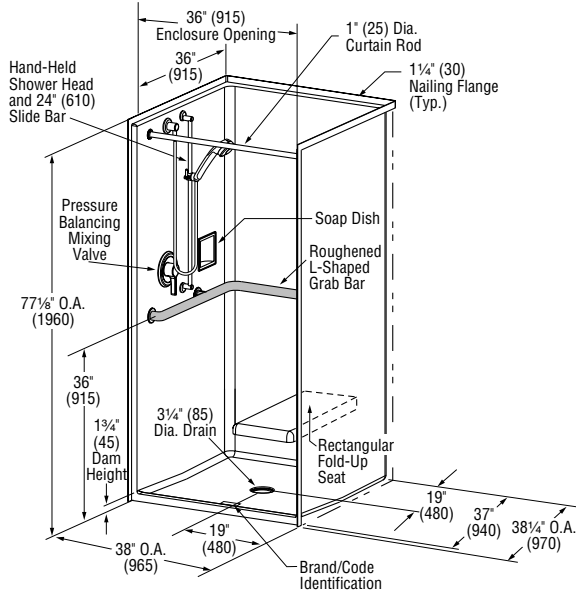
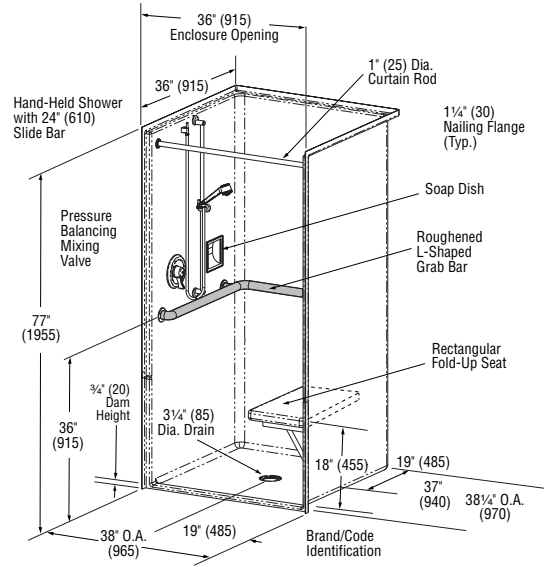


1363-BFSMA



1363-BFSCMA



Int. Dim.	36"W x 36"D x 74 1/8"H (915 x 915 x 1885)mm
Ext. Dim.	38"W x 38 1/4"D x 77 1/8"H (965 x 970 x 1960)mm
Skirt Ht.	1 3/4" (45mm) skirt, 1/2" (15mm) interior threshold
Weight	171.5 lbs. (77kg) gross
Material	LASCOAT (Gelcoat)
Warranty	Lascoat Finished Products — Three Years
Fax-On-Demand #	6004

Int. Dim.	36"W x 36"D x 75"H (915 x 915 x 1905)mm
Ext. Dim.	38"W x 38 1/4"D x 77"H (965 x 970 x 1955)mm
Skirt Ht.	3/4" (20mm) skirt, NO interior threshold
Weight	171.5 lbs. (77kg) gross
Material	LASCOAT (Gelcoat)
Warranty	Lascoat Finished Products — Three Years
Fax-On-Demand #	6045

STANDARD FEATURES	RECOMMENDED ACCESSORIES
<ul style="list-style-type: none"> *Massachusetts compliant [when fully equipped] Barrier-free design Center drain location Slip resistant, textured bottom [ASTM F-462] <p>Available East of the Rockies only</p>	<ul style="list-style-type: none"> RH or LH fixture wall Roughened horizontal L-shaped grab bar [1 1/2" Dia. (40mm)]: Fixture wall 31 1/2" (800mm), Back wall 18" (455mm) Rectangular fold-up cushioned seat [opposite fixture wall] Hand-held shower 36" (915mm) slide bar, vacuum breaker and 60" (1525mm) hose Pressure balancing mixing valve Soap dish Curtain rod and/or shower curtain Brass drain

STANDARD FEATURES	RECOMMENDED ACCESSORIES
<ul style="list-style-type: none"> *Massachusetts compliant [when fully equipped] Barrier-free design Center drain location Slip resistant, textured bottom [ASTM F-462] 	<ul style="list-style-type: none"> RH or LH fixture wall Roughened Horizontal L-shaped grab bar [1 1/2" Dia. (40mm)]: Fixture wall 31 1/2" (800mm), Back wall 18" (455mm) Rectangular fold-up cushioned seat [opposite fixture wall] Hand-held shower 36" (915mm) slide bar, vacuum breaker and 60" (1525mm) hose Pressure balancing mixing valve Soap dish Curtain rod and/or shower curtain Brass Drain

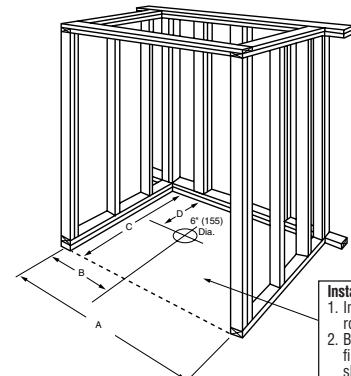
Notes: * For MA (Massachusetts) compliance, unit must be installed with roughened L-shaped grab bar, pressure balancing mixing valve and hand-held shower head with 36" (915mm) slide bar, vacuum breaker, 60" (1525mm) hose and rectangular fold-up seat.

For ease of installation, all LASCO units may be installed in one of two ways. Units may be installed in a recessed pit for rough-in floor installation or build the sub-floor to level the finished floor with the top of shower threshold to allow easy wheelchair access.

FRAMING DIMENSIONS

MODEL #	DIM. A	DIM. B	DIM. C	DIM. D
1363-BFSMA / 1363-BFSCMA	38 1/8" (970mm)	19" (480mm)	38 1/4" (970mm)	19" (480mm)

WIDTH (DIM. A) DIMENSIONAL TOLERANCE +0, -3/8" (±5mm)
ALL OTHER DIMENSIONAL TOLERANCES ±3/8" (±5mm)



Installation Options:
1. Install in a recessed pit for rough-in floor installation.
2. Build sub-floor to level the finished floor with top of shower threshold.