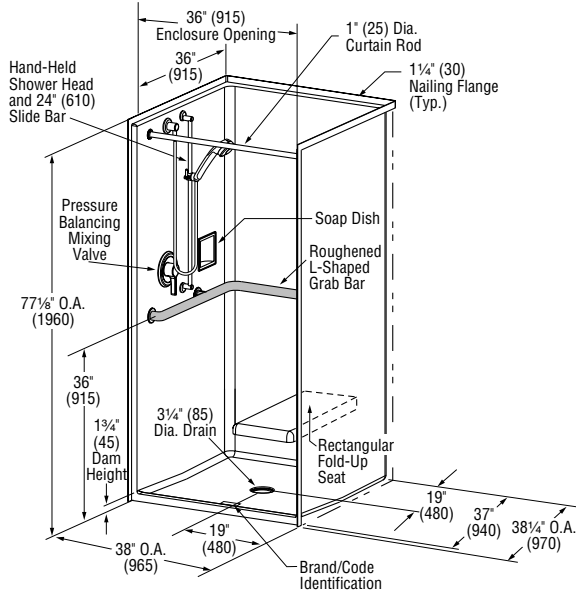
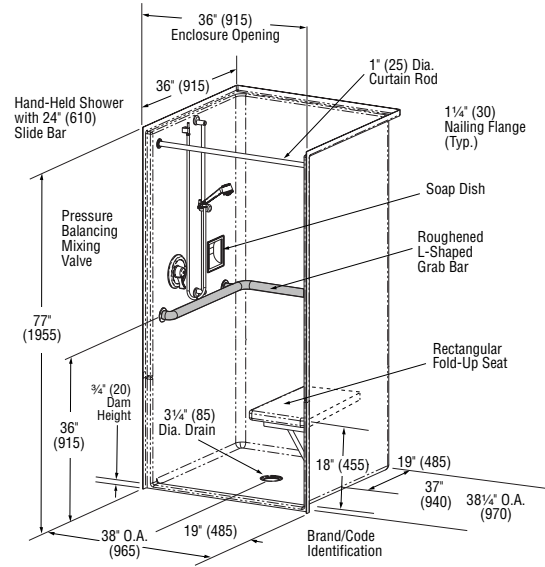


**1363-BFSMA**



**1363-BFSCMA**



Int. Dim.	36"W x 36"D x 74 <sup>1</sup> / <sub>8</sub> "H (915 x 915 x 1885)mm
Ext. Dim.	38"W x 38 <sup>1</sup> / <sub>4</sub> "D x 77 <sup>1</sup> / <sub>8</sub> "H (965 x 970 x 1960)mm
Skirt Ht.	1 <sup>3</sup> / <sub>4</sub> " (45mm) skirt, 1/2" (15mm) interior threshold
Weight	171.5 lbs. (77kg) gross
Material	<b>LASCOAT (Gelcoat)</b>
Warranty	Lascoat Finished Products — Three Years
Fax-On-Demand #	6004

Int. Dim.	36"W x 36"D x 75"H (915 x 915 x 1905)mm
Ext. Dim.	38"W x 38 <sup>1</sup> / <sub>4</sub> "D x 77"H (965 x 970 x 1955)mm
Skirt Ht.	3/4" (20mm) skirt, NO interior threshold
Weight	171.5 lbs. (77kg) gross
Material	<b>LASCOAT (Gelcoat)</b>
Warranty	Lascoat Finished Products — Three Years
Fax-On-Demand #	6045

STANDARD FEATURES	RECOMMENDED ACCESSORIES
<ul style="list-style-type: none"> <li>*Massachusetts compliant [when fully equipped]</li> <li>Barrier-free design</li> <li>Center drain location</li> <li>Slip resistant, textured bottom [ASTM F-462]</li> </ul> <p><b>Available East of the Rockies only</b></p>	<ul style="list-style-type: none"> <li>RH or LH fixture wall</li> <li>Roughened horizontal L-shaped grab bar [1<sup>1</sup>/<sub>2</sub>" Dia. (40mm)]: Fixture wall 31<sup>1</sup>/<sub>2</sub>" (800mm), Back wall 18" (455mm)</li> <li>Rectangular fold-up cushioned seat [opposite fixture wall]</li> <li>Hand-held shower</li> <li>36" (915mm) slide bar, vacuum breaker and 60" (1525mm) hose</li> <li>Pressure balancing mixing valve</li> <li>Soap dish</li> <li>Curtain rod and/or shower curtain</li> <li>Brass drain</li> </ul>

STANDARD FEATURES	RECOMMENDED ACCESSORIES
<ul style="list-style-type: none"> <li>*Massachusetts compliant [when fully equipped]</li> <li>Barrier-free design</li> <li>Center drain location</li> <li>Slip resistant, textured bottom [ASTM F-462]</li> </ul>	<ul style="list-style-type: none"> <li>RH or LH fixture wall</li> <li>Roughened Horizontal L-shaped grab bar [1<sup>1</sup>/<sub>2</sub>" Dia. (40mm)]: Fixture wall 31<sup>1</sup>/<sub>2</sub>" (800mm), Back wall 18" (455mm)</li> <li>Rectangular fold-up cushioned seat [opposite fixture wall]</li> <li>Hand-held shower</li> <li>36" (915mm) slide bar, vacuum breaker and 60" (1525mm) hose</li> <li>Pressure balancing mixing valve</li> <li>Soap dish</li> <li>Curtain rod and/or shower curtain</li> <li>Brass Drain</li> </ul>

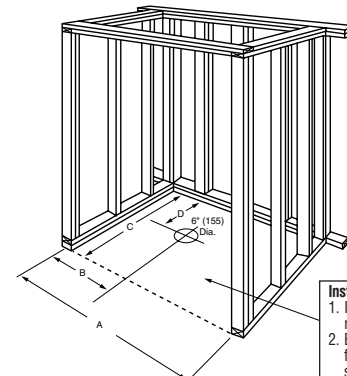
Notes: \* For MA (Massachusetts) compliance, unit must be installed with roughened L-shaped grab bar, pressure balancing mixing valve and hand-held shower head with 36" (915mm) slide bar, vacuum breaker, 60" (1525mm) hose and rectangular fold-up seat.

For ease of installation, all LASCO units may be installed in one of two ways. Units may be installed in a recessed pit for rough-in floor installation or build the sub-floor to level the finished floor with the top of shower threshold to allow easy wheelchair access.

**FRAMING DIMENSIONS**

MODEL #	DIM. A	DIM. B	DIM. C	DIM. D
1363-BFSMA / 1363-BFSCMA	38 <sup>1</sup> / <sub>8</sub> " (970mm)	19" (480mm)	38 <sup>1</sup> / <sub>4</sub> " (970mm)	19" (480mm)

WIDTH (DIM. A) DIMENSIONAL TOLERANCE +0, -3/8" (±5mm)  
ALL OTHER DIMENSIONAL TOLERANCES ±3/8" (±5mm)



**Installation Options:**  
1. Install in a recessed pit for rough-in floor installation.  
2. Build sub-floor to level the finished floor with top of shower threshold.