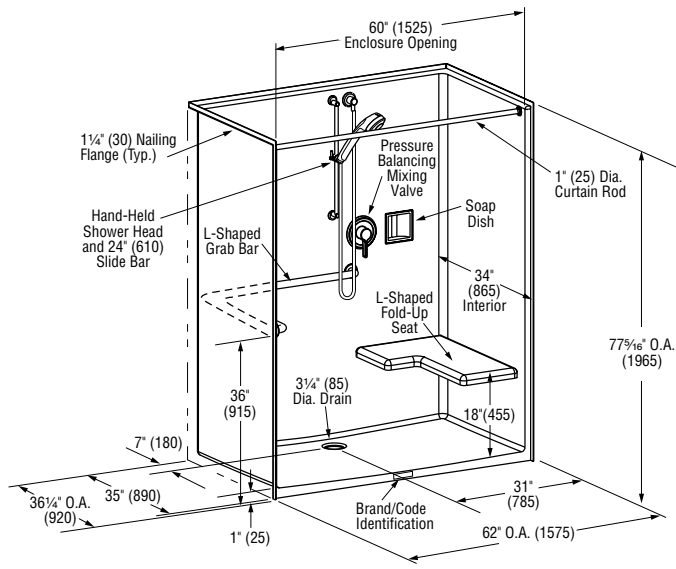


**1603-BFSTX**

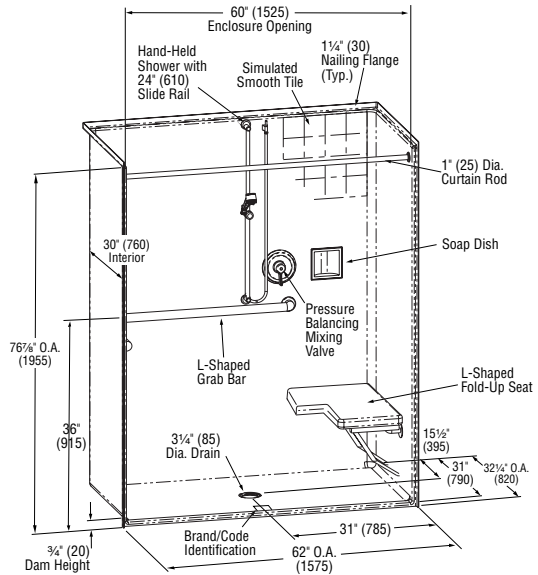


Int. Dim.	60"W x 34"D x 75 <sup>1</sup> / <sub>16</sub> "H (1525 x 865 x 1905)mm
Ext. Dim.	62"W x 36 <sup>1</sup> / <sub>4</sub> "D x 77 <sup>7</sup> / <sub>16</sub> "H (1575 x 920 x 1965)mm
Skirt Ht.	1" (25mm) skirt, NO interior threshold
Weight	201.5 lbs. (91kg) gross
Material	<b>LASCOAT (Gelcoat)</b>
Warranty	Lascoat Finished Products — Three Years
Fax-On-Demand #	6009

STANDARD FEATURES	RECOMMENDED ACCESSORIES
<ul style="list-style-type: none"> <li>*Texas Accessibility Standards compliant [when fully equipped]</li> <li>Barrier-free design</li> <li>Center rear drain location</li> <li>Slip resistant, textured bottom [ASTM F-462]</li> </ul>	<ul style="list-style-type: none"> <li>RH, LH or Back fixture wall</li> <li>Horizontal L-shaped grab bars [1<sup>1</sup>/<sub>2</sub>" Dia (40mm)]: 30" x 37<sup>1</sup>/<sub>4</sub>" (730x945)mm</li> <li>L-shaped fold-up cushioned seat [adjacent fixture wall]</li> <li>Hand-held shower</li> <li>24" (610mm) slide bar, vacuum breaker and 60" (1525mm) hose</li> <li>Pressure balancing mixing valve</li> <li>Soap dish</li> <li>Curtain rod and/or shower curtain</li> <li>Brass drain</li> </ul>



**1603-BFSTTX**



Int. Dim.	60"W x 34"D x 74 <sup>7</sup> / <sub>16</sub> "H (1525 x 865 x 1900)mm
Ext. Dim.	62"W x 36 <sup>1</sup> / <sub>4</sub> "D x 76 <sup>1</sup> / <sub>16</sub> "H (1575 x 920 x 1955)mm
Skirt Ht.	3/4" (20mm) skirt, NO interior threshold
Weight	180.5 lbs. (82kg) gross
Material	<b>LASCOAT (Gelcoat)</b>
Warranty	Lascoat Finished Products — Three Years
Fax-On-Demand #	6043

STANDARD FEATURES	RECOMMENDED ACCESSORIES
<ul style="list-style-type: none"> <li>*Texas Accessibility Standards compliant [when fully equipped]</li> <li>4" simulated smooth tile design</li> <li>Barrier-free design</li> <li>Center/center drain location</li> <li>Slip resistant, textured bottom [ASTM F-462]</li> </ul>	<ul style="list-style-type: none"> <li>RH, LH or Back fixture wall</li> <li>Horizontal L-shaped grab bars [1<sup>1</sup>/<sub>2</sub>" Dia (40mm)]: 30" x 37<sup>1</sup>/<sub>4</sub>" (730x945)mm</li> <li>L-shaped fold-up seat [adjacent fixture wall]</li> <li>Hand-held shower</li> <li>24" (610mm) slide bar, vacuum breaker and 60" (1525mm) hose</li> <li>Pressure balancing mixing valve</li> <li>Soap dish</li> <li>Curtain rod and/or shower curtain</li> <li>Brass drain</li> </ul>



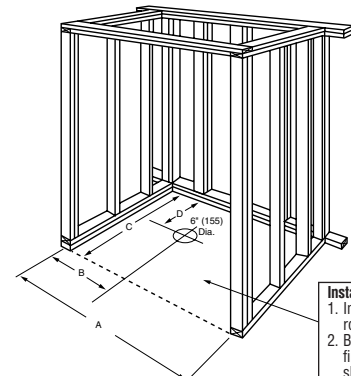
Notes: \*TAS (Texas Accessibility Standard) Compliant unit must be installed with L-shaped grab bars, pressure balancing mixing valve, hand-held shower head with 24" (610mm) slide bar, vacuum breaker, 60" (1525mm) hose and L-shaped fold-up seat.

For ease of installation, all LASCO units may be installed in one of two ways. Units may be installed in a recessed pit for rough-in floor installation or build the sub-floor to level the finished floor with the top of shower threshold to allow easy wheelchair access.

**FRAMING DIMENSIONS**

MODEL #	DIM. A	DIM. B	DIM. C	DIM. D
1603-BFSTX	62 <sup>1</sup> / <sub>8</sub> " (1580mm)	31" (790mm)	36 <sup>1</sup> / <sub>4</sub> " (920mm)	7" (180mm)
1603-BFSTTX	62 <sup>1</sup> / <sub>8</sub> " (1580mm)	31" (790mm)	36 <sup>1</sup> / <sub>4</sub> " (920mm)	17 <sup>1</sup> / <sub>2</sub> " (445mm)

WIDTH (DIM. A) DIMENSIONAL TOLERANCE +0, -3/8" (±5mm)  
ALL OTHER DIMENSIONAL TOLERANCES ±3/8" (±5mm)



**Installation Options:**  
1. Install in a recessed pit for rough-in floor installation.  
2. Build sub-floor to level the finished floor with top of shower threshold.